



GLCA01A2A



Actual product appearance may vary.

Global Limit Switches Series GLS: Side Rotary With Roller - Adjustable, 1NC 1NO SPDT Snap Action, 0.5 in - 14NPT conduit

Features

- Designed to IEC standard for world-wide applications
- UL, CSA, and CE
- International conduit sizes
- Direct PLC interface compatible (two circuit)
- Modular construction reduces maintenance parts costs
- Designed for ease of installation
- Variety of basic switch versions
- Wide choice of actuators

Potential Applications

- Machine tools: metal fabrication equipment, presses, transfer lines and special machinery
- Material handling equipment: conveyors, elevators, cranes, and hoists
- Packaging machinery and process equipment
- Textile machinery
- Construction machinery and equipment, vehicles and lift trucks

Description

The GLS series limit switches are specifically designed for world-wide applications and are supported by Honeywell global resources for sale and after sale service.

Product Specifications	
Availability	Global
Operating Force (O.F.)	0,120 N m [1.10 in lb]
Pretravel (P.T.)	26°
Overtravel (O.T.)	49°
Differential Travel (D.T.)	11.5°
Product Type	EN50041/47 Global Limit Switch
Actuator	Side Rotary
Lever Style	Roller - Adjustable
Circuitry	1NC 1NO SPDT Snap Action
Ampere Rating	10 A (Thermal)
Supply Voltage	300 Vac and 250 Vdc max.

Housing Material	Zinc Die-Cast
Termination Type	0.5 in - 14NPT conduit
Housing Type	EN 50047
Series Name	GLS MIN-DIN
Shock	50 g per IEC 68-2-27c (w/o Actuator)
Vibration	10 g per IEC 68-2-6 (w/o Actuator)
Sealing	NEMA 1, 4, 12, 13 IP66
Approvals	UL, CSA, CE
CSA File #	LR94369-3
UL File #	E37138 & E157416
Mechanical Life	10 million
Operating Temperature Range	-40 °C to 85 °C [-40 °F to 185 °F]
Comment	Roller Material: Plastic
Agency Approvals and Standards	IEC 947-5-1, EN60947-5-1, UL508
UNSPSC Code	302119
UNSPSC Commodity	302119 Switches and controls and relays
Sealed	Industrial
Operating Position (O.P.)	26°

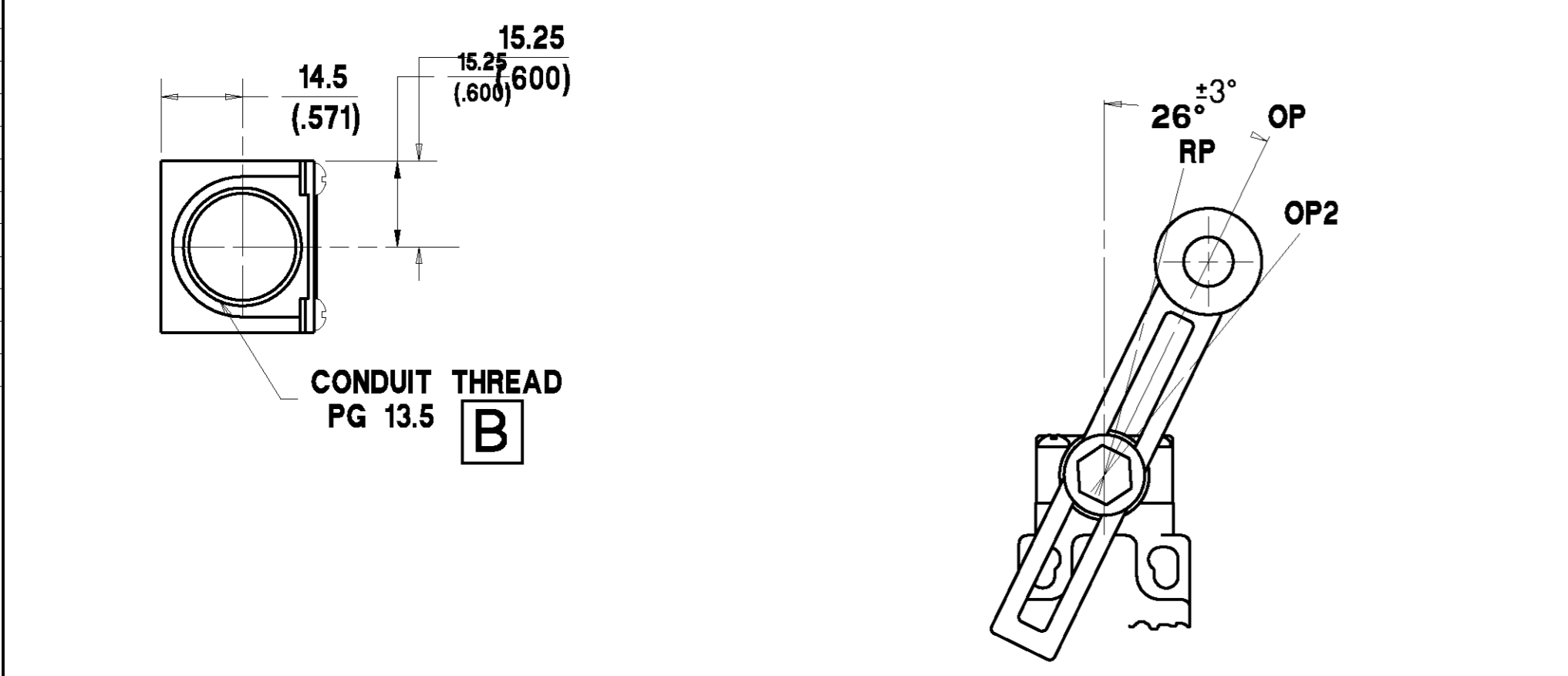
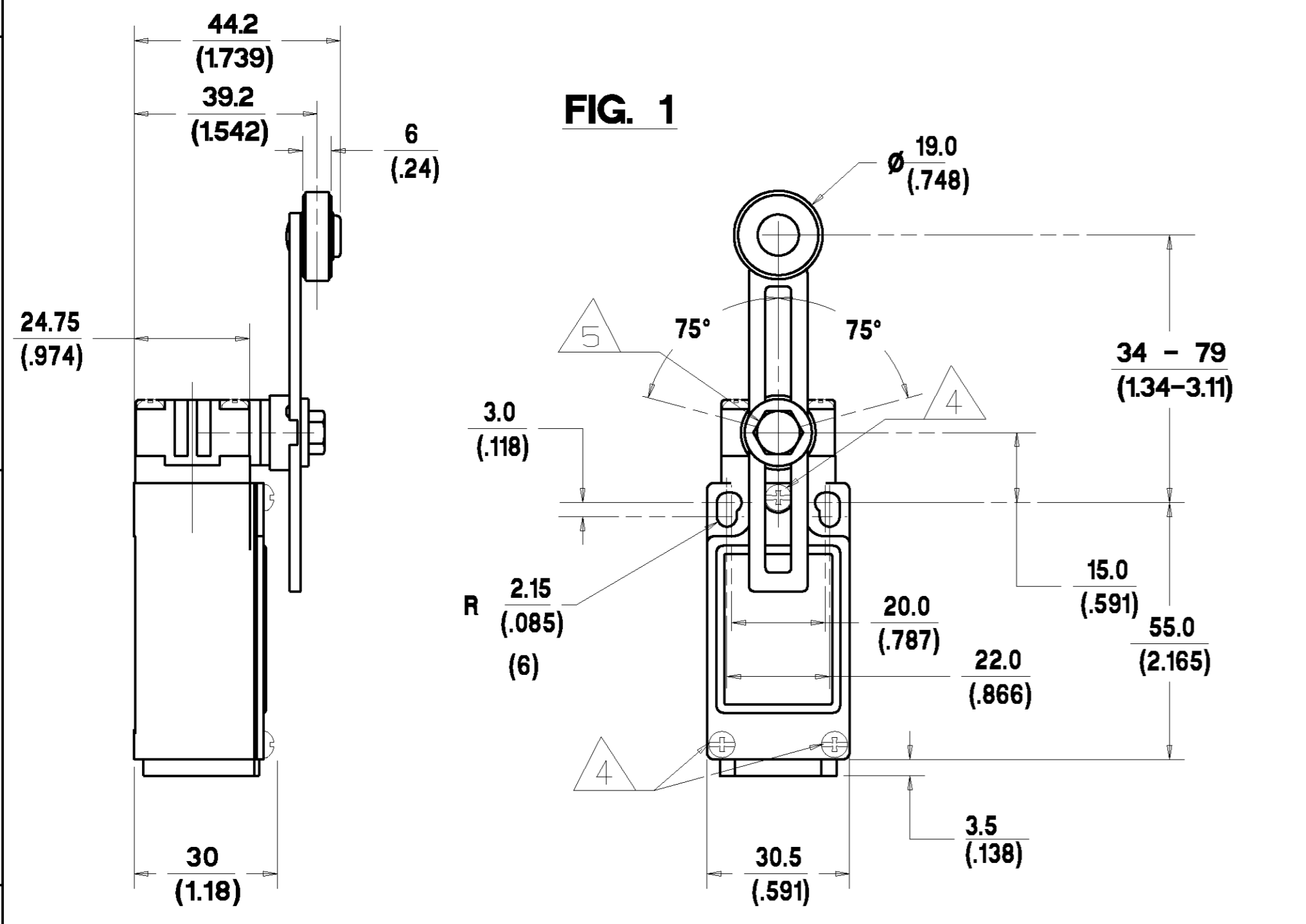
MTG-GL-191

REPLACES
DRAWING NUMBER
AO1B-185

ISSUE
6

REVISIONS
2 7/96
AO1B-262
3 12/96
AO1B-293
4 7/97
CO-000083
5 8/97
CO-000106
6 CO/395
I WEIR 6/98

Honeywell **LIMIT SWITCH** **GLS**
CATALOGUE LISTING
CHART NO. **MTG-GL-191**



NOTES:-

- ZINC DIECAST BODY AND HEAD WITH STEEL COVER. BODY AND COVER FINISHED IN MICRO SWITCH BLUE EPOXY PAINT. HEAD FINISHED IN BLACK EPOXY PAINT.
- MINIMUM OPERATING VELOCITY (Vmin) = 0.26 rad/s
MAXIMUM OPERATING VELOCITY (Vmax) = 25 rad/s
MAXIMUM OPERATING FREQUENCY (Fmax) = 250 OPS/MIN
- FREE POSITION (FP), OPERATING POINT (OP), OVERTRAVEL (OT) AND PRETRAVEL (PT) ALL TO EN50047.
- MAXIMUM TIGHTENING TORQUE FOR FIXING SCREW = 0.5Nm (4.4in.LB)
- MAXIMUM TIGHTENING TORQUE FOR FIXING SCREW = 0.8Nm (7in.LB)

NO CHANGES CAN BE MADE TO THIS DRAWING WITHOUT JOINT NEWHOUSE/FREEPORT APPROVAL

CONTACT BLOCK DIAGRAM TERMINAL DESIGNATION TO EN 50013	NOMINAL TRAVELS AND RELATED TERMINALS	NORMAL OPERATING TORQUE MAX	MAXIMUM DISCONNECT TORQUE
SNAP-ACTION CONTACTS 		120 (t1)	140 (t3)
SLOW-ACTION CONTACTS (BREAK BEFORE MAKE) 		110 (t0)	160 (t5)
SLOW-ACTION CONTACTS (MAKE BEFORE BREAK) 		110 (t1)	170 (t6)
SLOW-ACTION CONTACTS (2 NORMALLY CLOSED) 		110 (t0)	150 (t4)

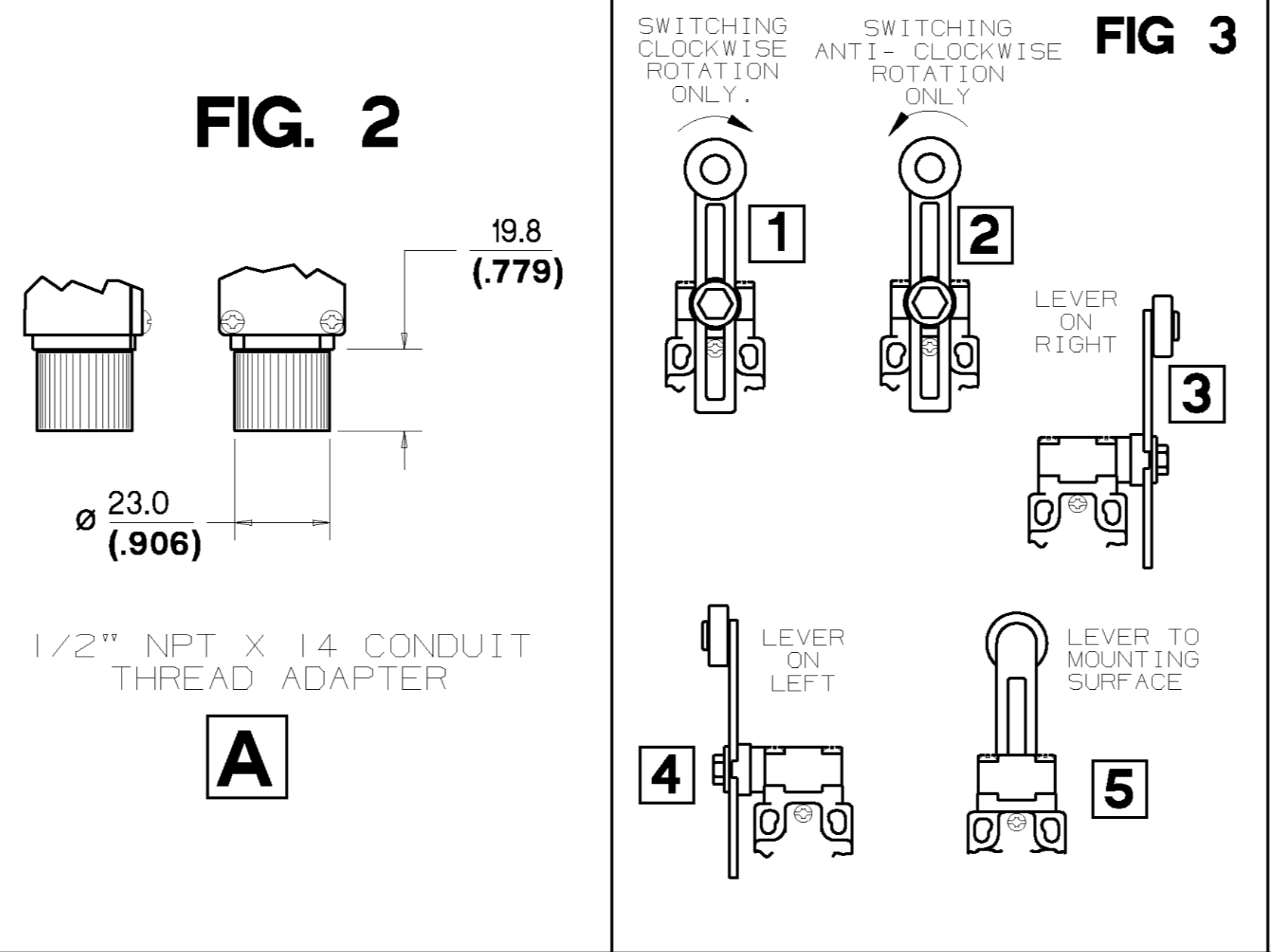
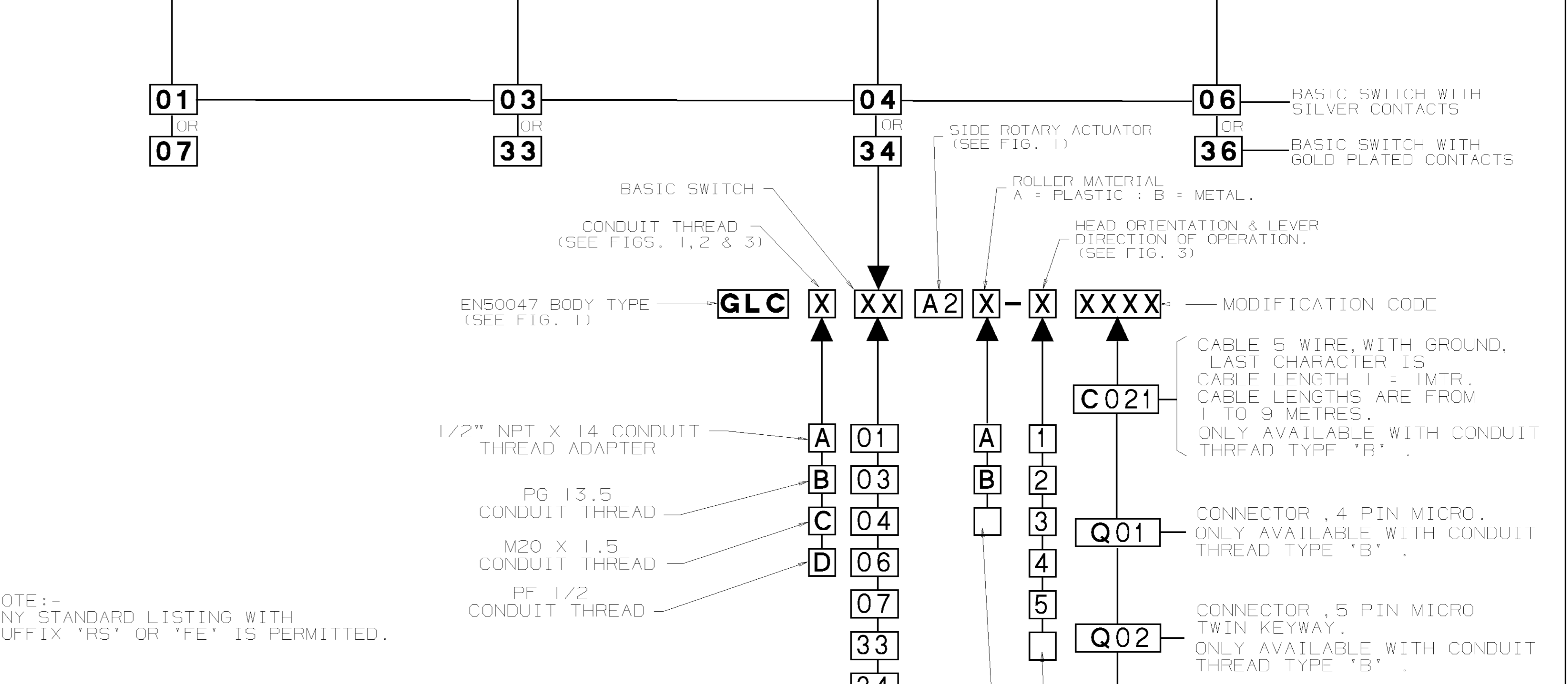


FIG. 3

SWITCHING CLOCKWISE ROTATION ONLY. 1

SWITCHING ANTI-CLOCKWISE ROTATION ONLY. 2

LEVER ON RIGHT. 3

LEVER ON LEFT. 4

LEVER TO MOUNTING SURFACE. 5

BLANK = NO ROLLER FITTED.

BLANK = LEVER TO FRONT, SWITCHING IN BOTH DIRECTIONS.

NOTE:
FOR CONNECTION DIAGRAMS AND ADDITIONAL ELECTRICAL, ENVIRONMENTAL & DIMENSIONAL INFORMATION SEE DRAWING GL-4922.

STANDARD SILVER CONTACTS	GOLD PLATED CONTACTS	ENVIRONMENTAL	APPROVALS
ELECTRICAL RATING	ELECTRICAL RATING	ENVIRONMENTAL	APPROVALS
AC A300 AC15 Ue Ie	DC O300 DC13 Ue Ie	IP66 NEMA 1, 4, 12, 13 TEMP RANGE : -25°C TO 85°C -13°F TO 185°F STORAGE : -40°C TO 85°C -40°F TO 185°F	UL IEC 947-5-1 EN50047
VOLTS AMPS 120 6 240 3	VOLTS AMPS 125 0.55 250 0.27	I _{th} = 10A IV 10µA MIN. 50V 100mA MAX.	
SHOCK : 50G PER IEC 68-2-27 VIBRATION : 10G PER IEC 68-2-6			

SCALE 1:1 DIMENSIONS ARE IN MM/INCHES. MODIFY ON CAD SYSTEM ONLY

THE COPYRIGHT OF THIS DRAWING IS THE PROPERTY OF HONEYWELL LTD. THE DRAWING IS SUPPLIED IN CONFIDENCE AND MUST NOT BE USED FOR ANY PURPOSE OTHER THAN THAT FOR WHICH IT IS SUPPLIED.